

## INSTALLATION INSTRUCTIONS FOR PYROCLASSIC FIRES 150MM STANDARD ECO FLUE KIT 4.2M

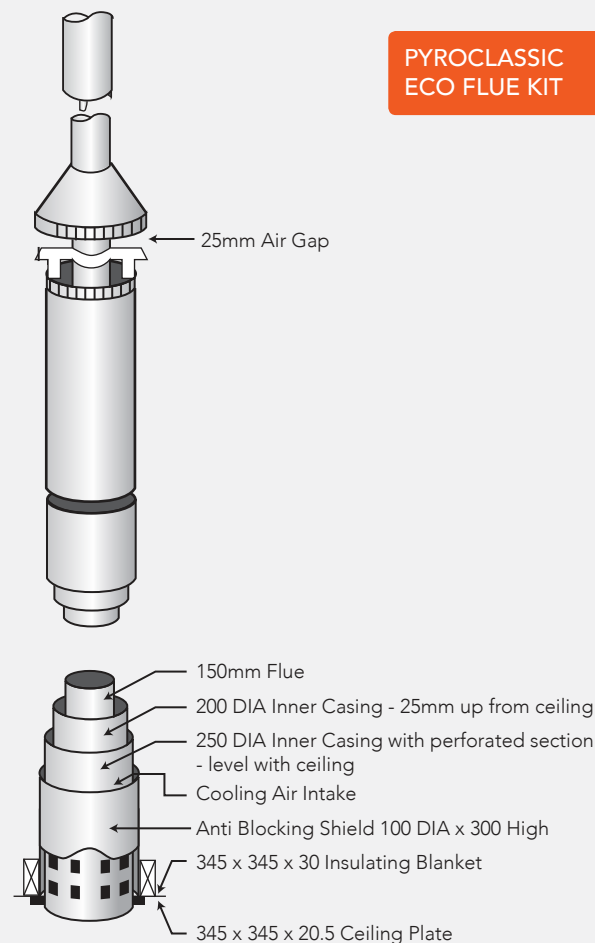
### COMPRISING:

- 1 Galvanised Outer Casing 250 x 1200mm with Perforated Section
- 1 Anti-Blocking Shield 300 x 300mm
- 1 Stainless Steel Rain hat (Anti-Downdraught Cowl)
- 1 Stainless Steel Flashing Cone
- 1 Stainless Steel Spreader
- 1 Packet of Screws
- 1 Ceiling Plate with Insulation Blanket
- 1 Galvanised Slip Joint 900mm
  - Saves up to 40% of energy by preventing heated room air
  - Escaping through ventilation cavity.
  - Acts as fire stop in the event of a house fire.
  - Reduces wind and traffic noise.
  - Easy and economical to fit to horizontal and sloping ceilings

### INSTALLATION

These instructions are to be read in conjunction with the heating appliance manufacturer's installation instructions.

1. Position heater on floor protector in accordance with the correct clearances.
2. Mark the penetration centre in the ceiling and roof using a plumb line.
3. Cut a 300mm square hole in the ceiling and trim with noggins to support outer casing.
4. Cut a 250mm diameter hole in the roofing material and trim back all combustible material within 25mm from its opening,
5. Fix anti-blocking shield on 4 tangential contact points fixing tags down and the shield bottom edge level with the ceiling.
6. Fit outer liner with perforations into the blocking shield hold the bottom edge level with the ceiling and fold the support tags inwards and fix up. Secure by squeezing with a pair of pliers.

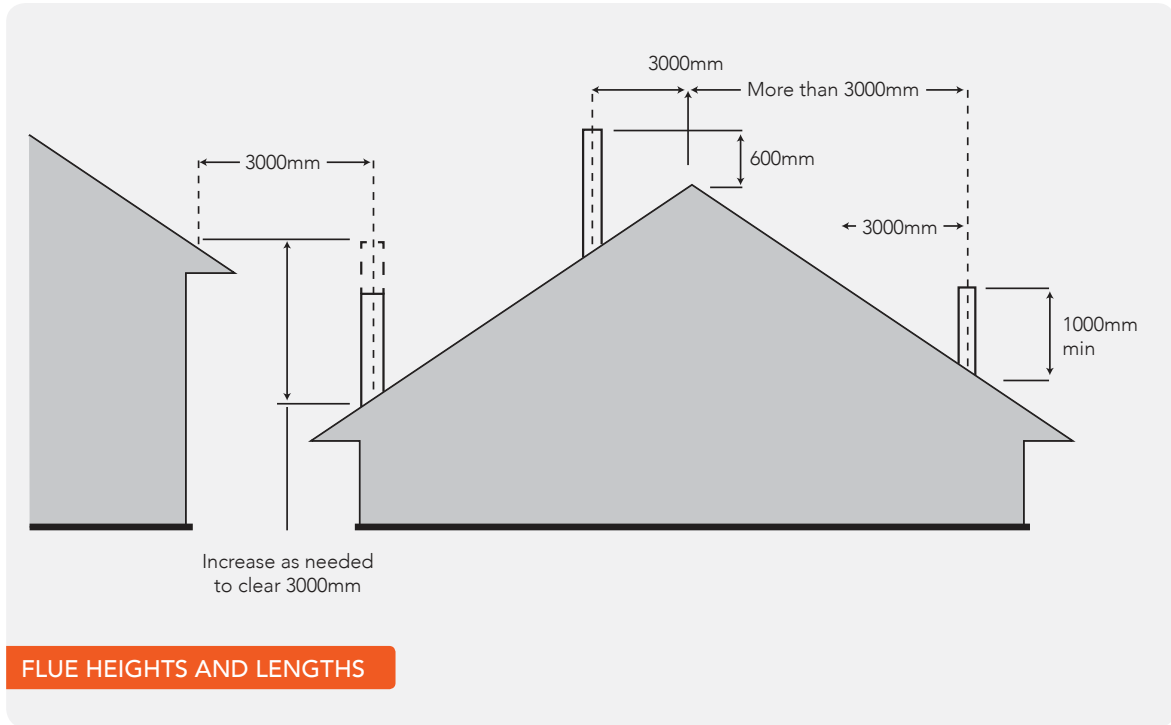


**PYROCLASSIC  
ECO FLUE KIT**

*Tested to Appendix F of AS/NZS2918:2001*

*Meaning that it can be installed on any appliance which has been tested to the old or the new standard*

7. Fix appropriate flashing around liner to seal on the roof material.
8. Assemble the flue section ensuring that all seams are inline.
9. Fit inner liner, ensure that the spacer brackets rest on the swage in the outer liner. Bottom edge should be 25mm up from ceiling level.
10. Place ceiling plate on top of heater with edge up and lay Kao Wool Noise Blanket into position.
11. Fit flue with small end dome into position. Flue must extend 200mm above outer liner for correct fitting of rain cap. Extra sections of flue and liners may be added to achieve the correct clearance above the roof.
12. Fit top spacer and tighten. Slide cone over the flue and fit the rain cap. Do not fasten rain cap to facilitate removal for cleaning.
13. Fix ceiling plate with screws provided. No spacers between ceiling tile and ceiling.



**CAUTION:** Mixing of appliance of flue system components from different sources of modifying the dimensional specifications of components may result in hazardous conditions. Where such action is considered the manufacturer should be consulted in the first place.

**WARNING:** the appliance and flue shall be installed in accordance with AS/NZS2918:2001 and the appropriate requirements of the relevant building code or codes.

The flue pipe shall extend not less than 4.6m above the top of the floor protector

The flue cowl must be at least 600mm above the highest point of the roof if within 3 meters of ridge, or 1 metre above the roof penetration, if more than 3 metres from the ridge

No part of the building, or any adjacent building may be in or above a circular area of a horizontal radius of 3 metres.

**RECOMMENDATIONS**

We recommend that this product is installed by a registered by a registered installer

This product has sharp edges and gloves must be worn during installation

- The wood used in conjunction this flue must be dry and untreated, only plain paper and newspaper should be used to prevent premature deterioration of the flue and appliance

*We recommend having your flues swept by a professional chimney sweep before the first use each season.*



**PYROCLASSIC**  
FIRES